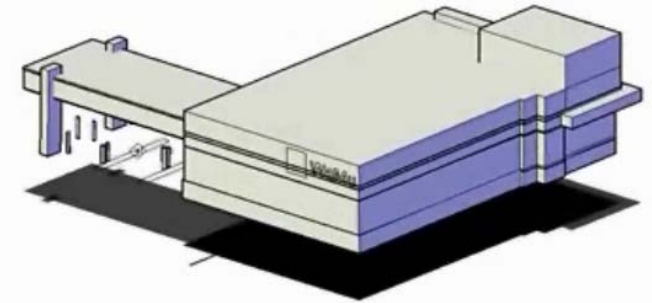


PointCloud 7.0

What's new?

Release May 2011

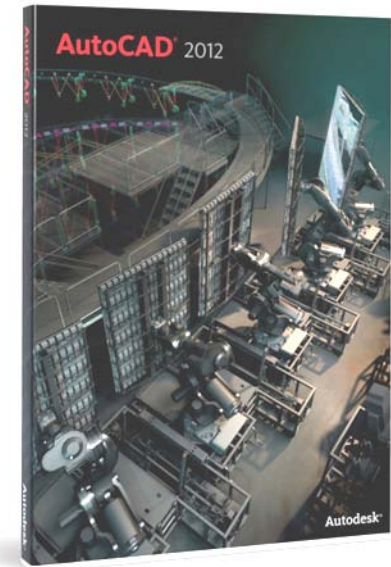
- Compatibility with AutoCAD 2012
- New product family **PointSense**
- New command for generation of **Ortho Images** of point clouds
- Fit cylinder with just two clicks (AutoCAD 2010 and higher)
- New command "**Flatten drawing**" – projects geometry to plane
- SmartSection command for better display of AutoCAD point clouds
- New commands improve work with images
- Improvement of existing functionality

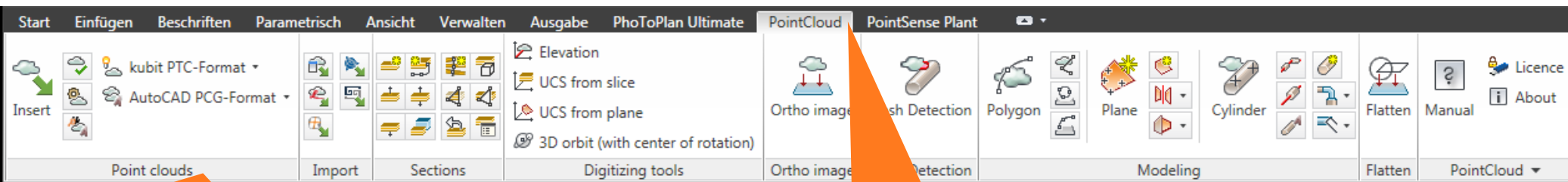


Software for Surveying, Construction and Architecture

Compatibility with AutoCAD 2012

- Operating systems:
 - All 32 bit and 64 bit versions of Windows 7, Vista and XP
 - New: Windows 2000 no longer supported
- AutoCAD:
 - Support of AutoCAD 2012
 - All Autodesk products based on AutoCAD 2012, e.g.
 - Architecture 2012
 - Civil 3D 2012
 - Older versions of AutoCAD (2007 and higher)
- For older systems we can provide a previous version



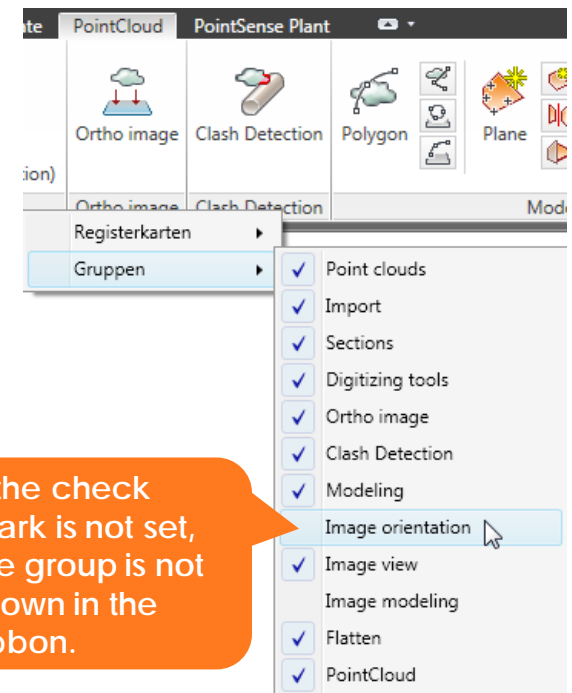


Associated commands are sorted in groups

Every product option has its ribbon

Ribbons

- AutoCAD 2010 to 2012: alternative for the classic menu and toolbars
- Less space than showing all toolbars
- Fast and intuitive access to commands
- Easy to customize (AutoCAD 2011 and higher)
 - Sort by Drag & Drop
 - Show or hide via context menu (right click)
 - Compose your own command groups with AutoCAD CUI Editor
- Menus and toolbars are still available



If the check mark is not set, the group is not shown in the ribbon.

PointSense the new name of the kubit product family for laser scanning

The "Family members" :

- **PointSense Plant**

NEW

- Specific solution for **plant industry**
- Additional features for semi-automatic recognition and creation of pipe runs
- Tagging module for point clouds with database support for feature data

- **PointCloud Pro**

- Generic industry independent solution
- Tools for modeling and fitting geometry with point clouds
- Functionality for working with images and point clouds
- Analysis tools (e.g. clash detection)

- **PointCloud**

- Generic industry independent solution
- Simple tools for working with point clouds
- Import of scan data of multiple scanner manufacturers
- Define sections and digitize ...

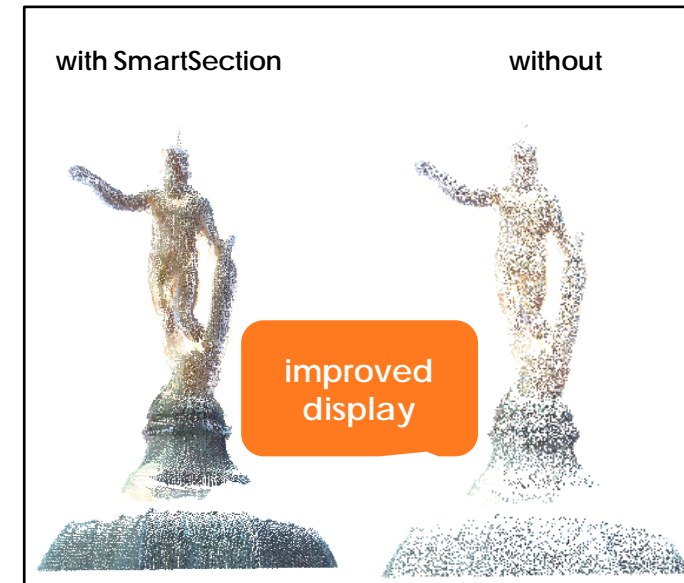


Number of features
&
Grade of Specialization

SmartSection

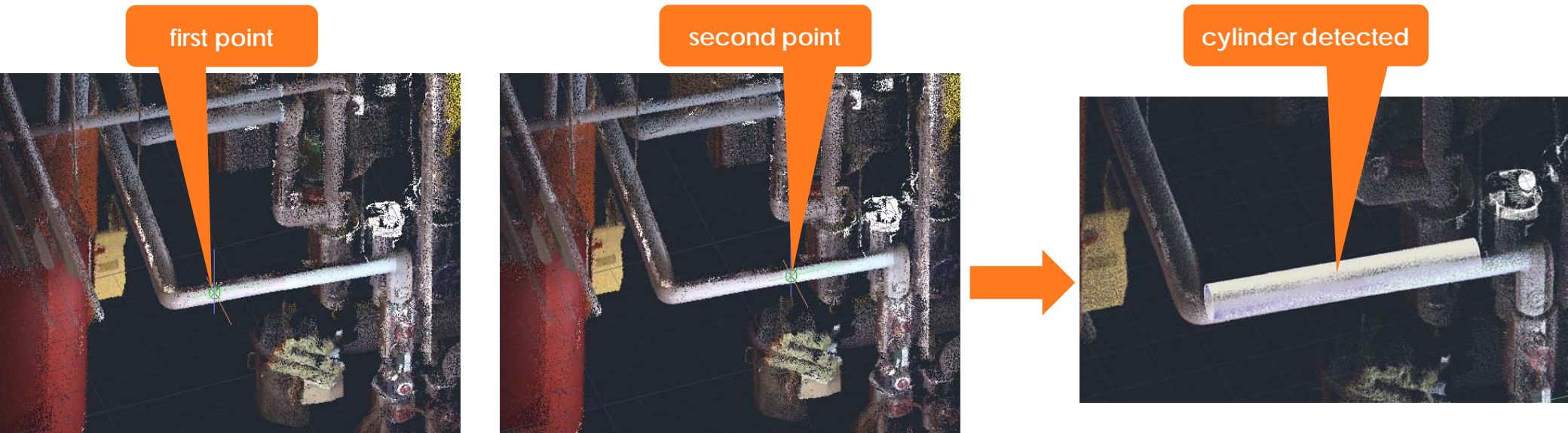
Section of an AutoCAD point cloud (PCG) is temporarily converted into a kubit point cloud (PTC format)

- Cures the disadvantages of using AutoCAD point clouds
- **Correct Object Snap**
 - Snaps only points that – from the current view – lie in front
- Recommended for digitizing details accurately
- Allows use of features that up to now do not work with AutoCAD point clouds such as
 - clash detection
 - 3D drawing with images
 - = combined evaluation of point clouds and oriented images



Improved command for fitting cylinders (AutoCAD 2010 and higher)

- No longer laborious clipping the point cloud
- Only two points on the cylinder barrel needed



New command for generation of ortho images

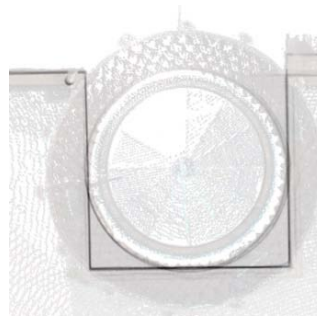
- Parallel projection of a point cloud into a user-defined image plane
- Creates raster image with user-defined resolution
 - Wizard makes choice of resolution easy
- To scale mapping of all object edges parallel to the projection plane
 - Allows creation of image plans
 - When pure vector graphic is not sufficient
- With **X-ray option**
 - Image parts are displayed dark when many points of the cloud lie behind each other
 - Outlines emerge much clearer – Base for digitizing

Plot high resolution point clouds with best quality via ortho image

Colored image
X-ray 0%



Mixed image
X-ray 80%



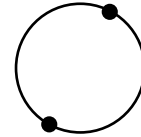
Grey scale image
X-ray 100%



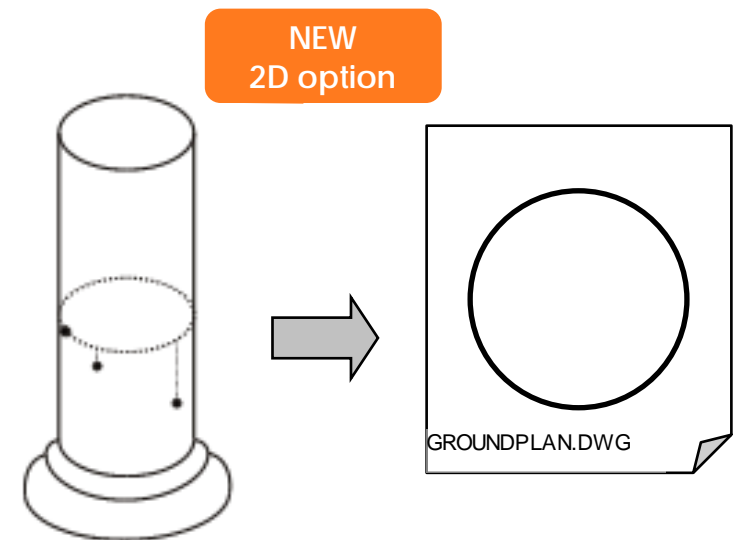
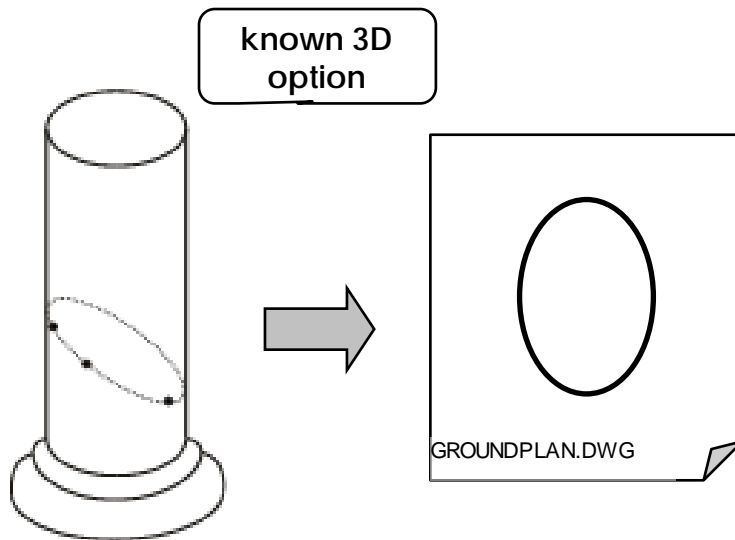
Transfer and use of scan data in CAD which do not support point clouds

New options for drawing circles and arcs

- Circles now also with just two diametric points
 - Less clicks

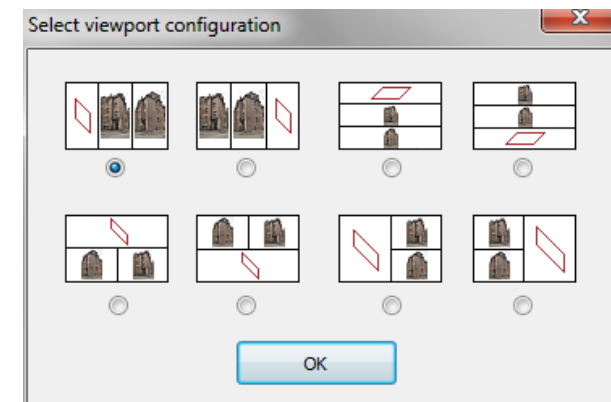
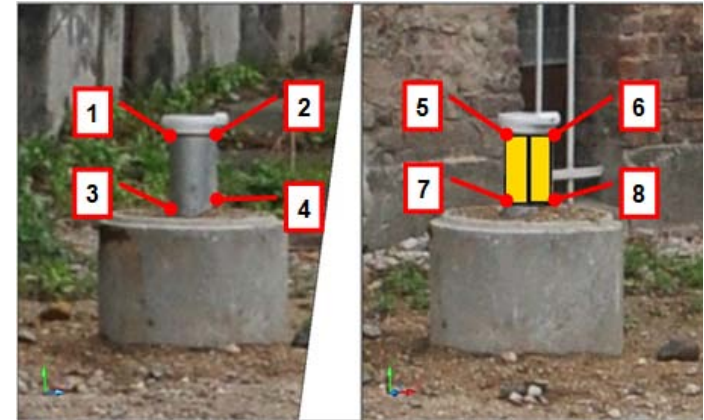


- Circles and arcs through **three** 3D points now with 2D option
 - 2D plans made easy



Improved Evaluation of Oriented Images

- New command for **creating cylinders**
 - Just a few clicks in two oriented images
 - No need for marked points on the cylinder
- Commands for fitting planes and cylinders
 - now with option for defining points by dual image evaluation
 - thus no urgent need for measurements with total station to create these 3D surfaces
- Preparation of three viewports with free choice of alignment
 - Better control of developing geometry within the third viewport
 - Alignment now adjustable to the screen format



Further Improvements and Extensions

- More user-friendly license management
- New command for selection of branch menu
- New command "**Flatten drawing**" – projects geometry to plane
- Handy AutoCAD command for navigation – 3D Orbit (with center) included in PointCloud menu, toolbar and ribbon
- Section manager for AutoCAD point clouds now with color selection for sections
- Many more detail improvements

kubit GmbH
Fiedlerstr. 36
01307 Dresden, Germany

phone: +49 351 41767-0
fax: +49 351 41767-29
e-mail: info@kubit.de



www.kubit-software.com