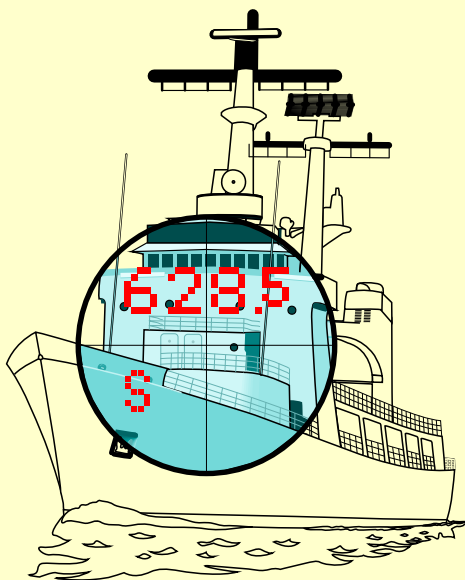


# LONG-RANGE RANGEFINDER LASERTAPE FG21-LR

The **LASERTAPE FG21-LR** is an extremely compact, durable, high performance laser rangefinder for handheld use, providing high accuracy and excellent long range performance.



*A single operator can quickly measure the relative location of any object for:*

- Aid to marine navigation
- Aid surveying in hydrography and dredging
- Map urban and remote areas
- Support collection of environmental data
- Survey of quarries and mines

visit our webpage  
[www.riegl.com](http://www.riegl.com)



**RIEGL**  
LASER MEASUREMENT SYSTEMS

## General

The **LASERTAPE FG21-LR** is an extremely compact, durable, high performance laser rangefinder for handheld use.

Protected by thick rubber, it is ideal for use in harsh environments. Look through the 6x30 sighting optics at almost any arbitrary target. At the push of the trigger button, the **LASERTAPE FG21-LR** emits pulses of eyesafe laser light toward the object. The instrument then calculates the distance to the target based on the time taken for the reflected light to return. Distance and inclination are displayed in large, easily legible digits in the sighting optics typically in less than one second.

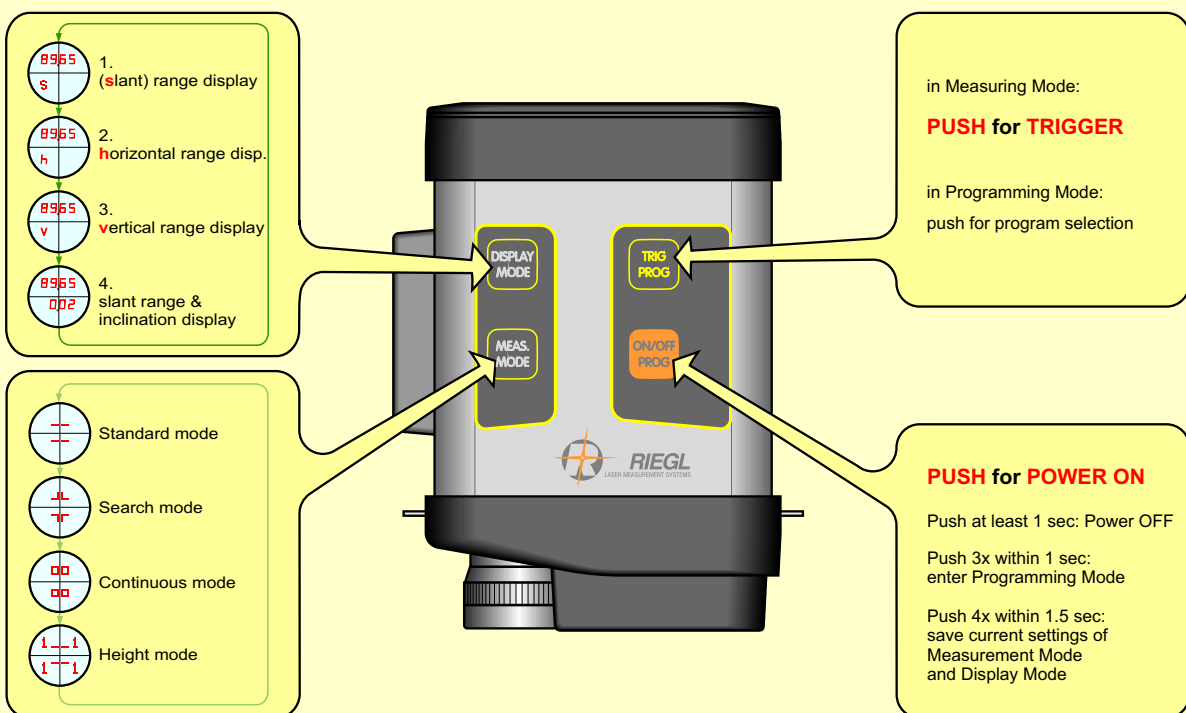
The **LASERTAPE FG21-LR** offers 0.2 m accuracy up to 2000 meters reflectorless. Use a reflector to further increase the range by a factor of 5.

A powerful short-range suppression feature facilitates reliable use in bad weather conditions such as heavy rain, snowfall, or fog as well as measurements through a window.

## Key Features

- Reliable semiconductor-laser rangefinder technology
- Not larger or heavier than a conventional pair of binoculars
- Range up to 2000 m “reflectorless”, up to 10 000 m with retroreflectors
- Resolution 0.1 m
- Short measuring time
- Display of the strongest target
- Adjustable short-range suppression for measurements under bad conditions (dust, rain, fog...)
- Built-in inclinometer for height measurement of objects and for horizontal path length calculation
- Display of the measured data within the sighting optics field-of-view
- Sighting optics’ crosshair is coaligned with the measuring beam
- Built-in buzzer, which can be switched off for soundless operation
- Built-in standard batteries or rechargeable batteries “AA”-size
- External power supply 12 V DC
- External charger input
- RS232 data interface with NMEA or ASCII data string

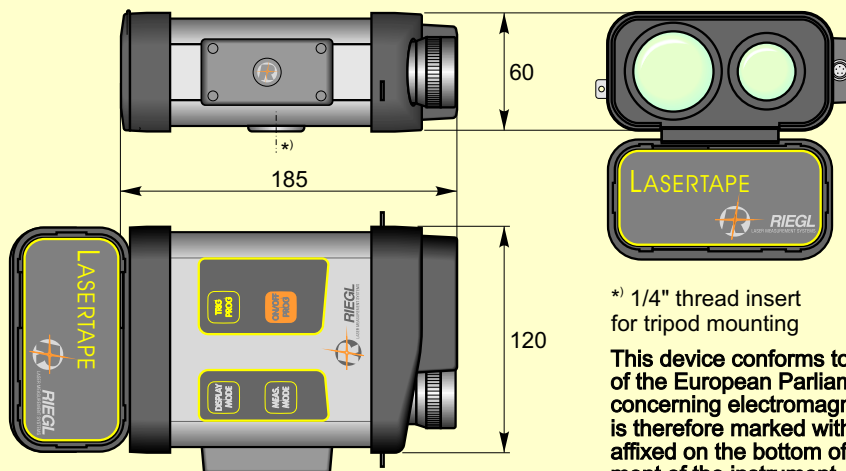
## Membrane Switch Pad



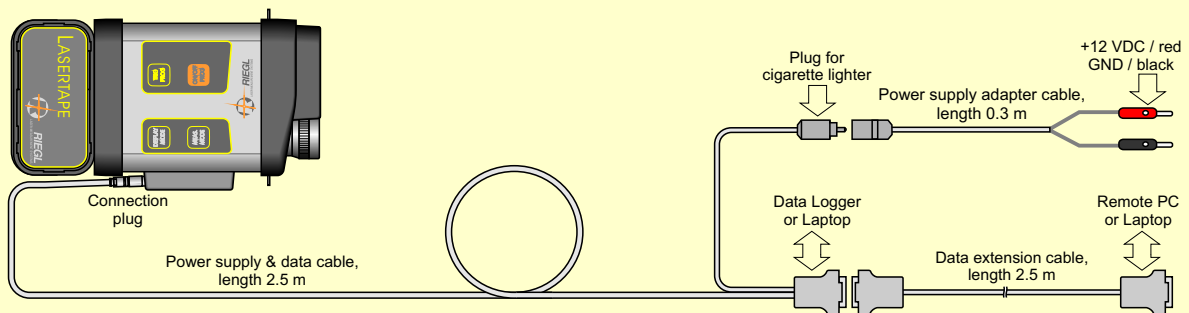
## Elements of Operation and Control



## Dimensional Drawings



## System Configuration



## Specifications Lasertape FG21-LR

### Maximum operating range <sup>1) 2)</sup>

depending on the reflection characteristics of the target

<i>Trees, bushes etc.</i>	
at daylight	1200 m
at dawn or dusk and at night	1500 m
<i>Masonry, stones etc.</i>	
at daylight	2000 m
at dawn or dusk and at night	>2500 m
<i>Reflecting foil <sup>3)</sup></i>	>4000 m
<i>Glass reflector prism <sup>4) 5)</sup></i>	10 000 m
<b>Minimum distance <sup>5) 6)</sup></b>	5 m
<b>Accuracy, typically <sup>7)</sup></b>	± 0.2 m
<b>Resolution</b>	0.1 m
<b>Acquisition time <sup>8)</sup></b>	typ. 0.5 s
<b>Target selection</b>	strongest target
<b>Inclinometer</b>	range +60° to -30°, resolution 0.1°

- 1) Typical values at clear air, visibility 20 km, under an overcast sky
- 2) Display to be selected in meters, feet, or yards
- 3) Reflecting foil 3M DG4090 or equivalent, minimum dimensions 0.45 x 0.45 m<sup>2</sup>
- 4) Three high quality retroreflecting prisms, diameter 60 mm each
- 5) For retroreflecting prisms, the minimum range is 50 m
- 6) Short-range suppression adjustable in steps up to 1000 m
- 7) Standard deviation, plus distance depending error ≤± 20 ppm
- 8) Self-adapting between 0.3 sec. and 1 sec.

## Technical Data

### Physical data:

**Weight**  
approx. 1.45 kg with batteries

**Dimensions**  
(LxWxH) 185x120x60 mm

**Temperature range**  
Operation -10°C to +50°C  
Storage -25°C to +70°C

**Internal power supply**  
6 Alkaline-Manganese batteries or rechargeable NiMH batteries of type "AA"

**Battery lifetime**  
>2000 measurements (Alkaline-Manganese)  
>1000 measurements (NiMH)

**External power supply**  
10-14 V DC, 400 mA

### Sighting optics:

**Magnification**  
6 x 30 monocular

**Field-of-view**  
approx. 100 m at 1000 m

**Optical quality**  
all elements multi-layer coated

### Display:

2x4 digit LED display within the field-of-view of the sighting optics, automatic brightness control

### RS232 data interface:

ASCII- data string:  
300 ... 19200 Bd, selectable  
NMEA 0183 data string:  
4800 Bd

### Laser data:

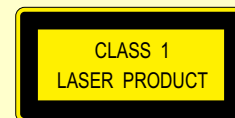
**Type** pulsed semiconductor laser

**Wavelength** 0.9 µm

**Beam divergence** 2 mrad

i.e. approx. 20 cm increase of beamwidth per 100 m of range

### Laser Product Classification



according to IEC60825-1:2007

The following clause applies for instruments delivered into the United States:  
Complies with 21 CFR 1040.10 and 1040.11 except for deviations pursuant to Laser Notice No. 50, dated June 24, 2007.

Information contained herein is believed to be accurate and reliable. However, no responsibility is assumed by RIEGL for its use. Technical data are subject to change without notice. Data sheet FG21-LR, 15/04/2010



**RIEGL**  
LASER MEASUREMENT SYSTEMS  
[www.riegl.com](http://www.riegl.com)

RIEGL Laser Measurement Systems GmbH, A-3580 Horn, Austria  
Tel.: +43-2982-4211, Fax: +43-2982-4210, E-mail: [office@riegl.co.at](mailto:office@riegl.co.at)  
RIEGL USA Inc., Orlando, Florida 32819, USA  
Tel.: +1-407-248-9927, Fax: +1-407-248-2636, E-mail: [info@rieglusa.com](mailto:info@rieglusa.com)  
RIEGL Japan Ltd., Tokyo 1640013, Japan  
Tel.: +81-3-3382-7340, Fax: +81-3-3382-5843, E-mail: [info@riegl-japan.co.jp](mailto:info@riegl-japan.co.jp)